



Modular Directional Valve (4/2)

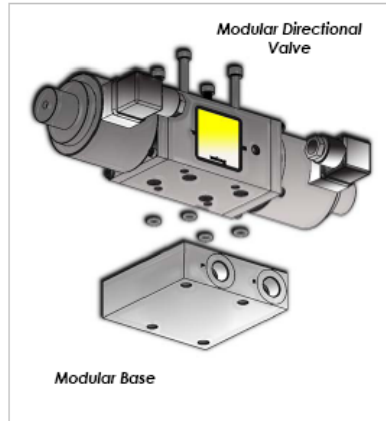
A modular solenoid operated directional valve for oil and grease in Dual Line and hydraulic systems for pressures up to 400 bar (5880 psi)

MODULAR BASE, THE INNOVATIVE SOLUTION

The Modular Directional Valve (4/2) is a completely new valve which has been designed to satisfy a wide range of requirements.

The key feature is the Modular base which has all hydraulic connections.

This means fast and easy replacement in the field without disturbing pipework and minimizing downtime. Untouched pipework avoids the risk of contaminating circuit.



Quick key points:



Technical

Max. operating pressure: **400 bar (5880 psi)**
 Voltages: **24V DC**
 110V AC, 230V AC – 50/60 Hz
 Others available on request
 Max. delivery : **Oil 100cSt: 40 lpm (10.56 gpm)**
Grease NLGI 2: 1 Imp (0.26 gpm), 50 cu.in/min



Features

- Electric valve, no air required
- BSP & NPT modular bases: work with all valve modules



Applications

- Ideal for Dual Line systems inversion
- Ideal for grease applications up to NLGI2
- In Progressive systems as shut off valve to zone complex circuits by plugging port 1 or 2

In new installation you can use the new product as an alternative for following existing part numbers

New Part No.	New Description	New Part Number is an alternative for:	
		Existing Part No.	Product Description
0083421 + 3072599	Modular Directional Valve 110V AC 50/60 Hz Modular Base 3/8" BSP porting	0083300	E-pneumatic inverter 110V 50/60 Hz BSP
0083421 + 3072606	Modular Directional Valve 110V AC 50/60 Hz Modular Base 3/8" NPT porting	0083303	E-pneumatic inverter 110V 50/60 Hz NPT
0083422 + 3072599	Modular Directional Valve 230V AC 50/60 Hz Modular Base 3/8" BSP porting	0083304	E-pneumatic inverter 220V 50/60 Hz BSP
0083420 + 3072599	Modular Directional Valve 24V DC Modular Base 3/8" BSP porting	0083309	E-pneumatic inverter 24V DC BSP

Features comparison

	Dropsa	Farval
Modular Base	✓	X
Max pressure	400 bar (5880 psi)	240 bar (3500 psi)
Max Flow rate	40L/min (10.56 GPM)	38L/min (10 GPM)
Integrated coil protection	✓	X
Price	=	+++

The Modular directional valve is supplied without base. Remember to order the base you require.

1. Modular Directional Valve

Inverter & Coil Part No.	Description
0083420	Modular Directional Valve 24V DC
0083421	Modular Directional Valve 110V AC 50/60 Hz
0083422	Modular Directional Valve 230V AC 50/60 Hz



Spare Parts

2. Modular Base

Modular Base Part No.	Description
3072599	3/8" BSP Porting
3072606	3/8" NPT Porting

Part No.	Description
3150011	Solenoid 24V DC
3150012	Solenoid 110V AC 50/60 Hz
3150013	Solenoid 230V AC 50/60 Hz
3133262	Seal Kit